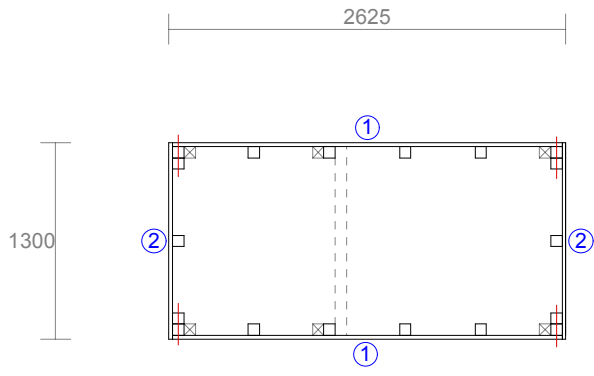
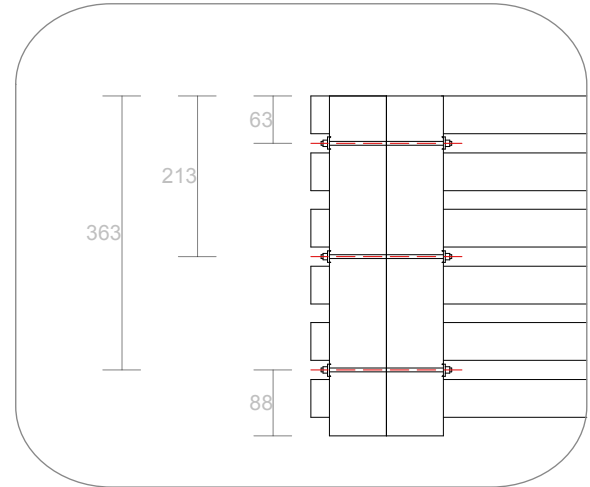
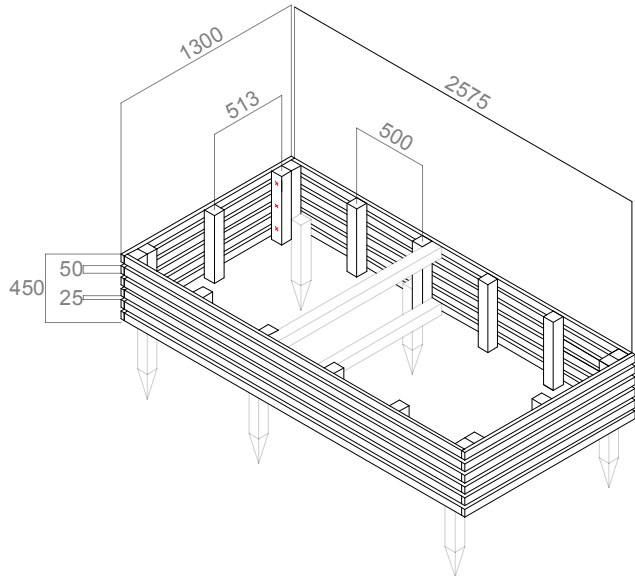


# 3.12m<sup>2</sup> growing area Planter Type C

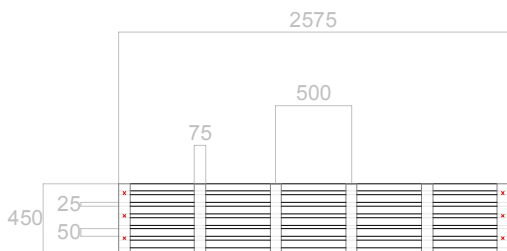


Notes:  
Battons set out at 500mm centres

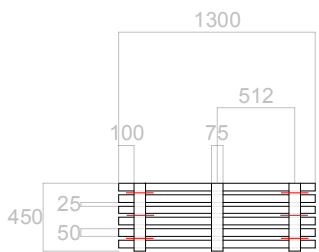
- = Direction of pre-drilled holes
- = Position of pre-drilled hole



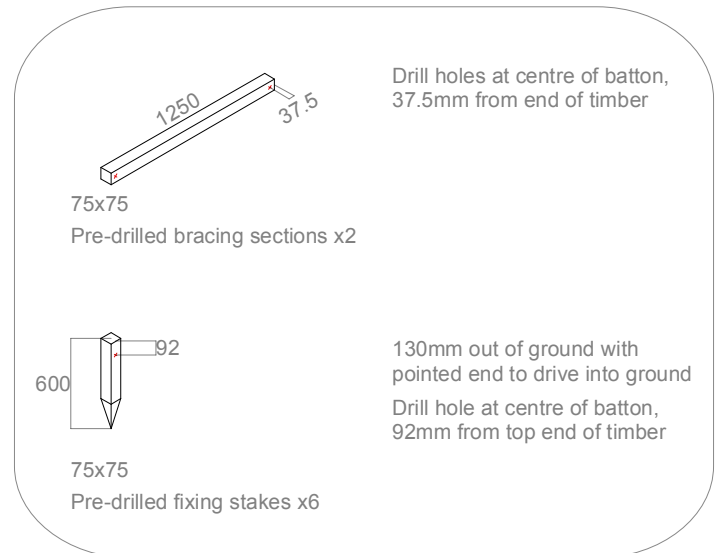
1:10 detail elevation to show position of drilled holes between slats



① Piece 1, x2



② Piece 2, x2



Additional timbers for fixing Pieces together and to the ground

## VACANT LOT PARTNERSHIP Planter Dimensions



Dwg Title: Vacant Lot Planter Type C - Dimensions  
Dwg No.: VL-PlanterC-01  
Revision:  
Scale: 1:50 unless indicated otherwise  
Date created: 26.03.10

Rev.

## WHAT IF: projects Ltd

39 Cropley Street, London N1 7HT  
T. 02072533376  
www.what-if.info