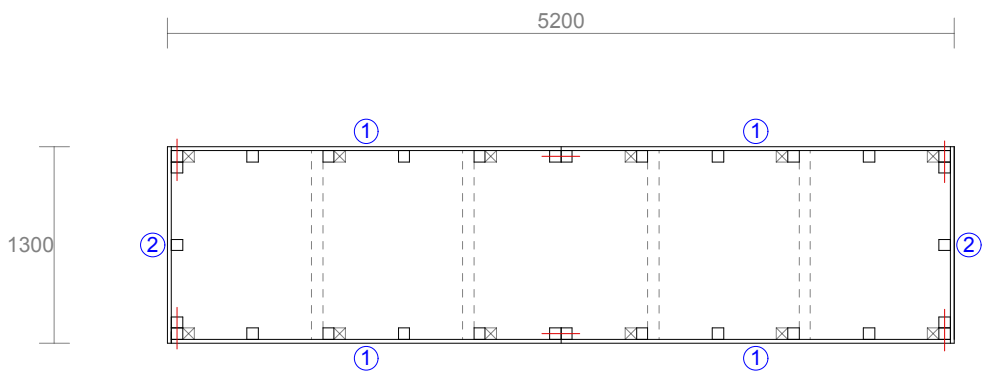


6.27m² growing area Planter Type B

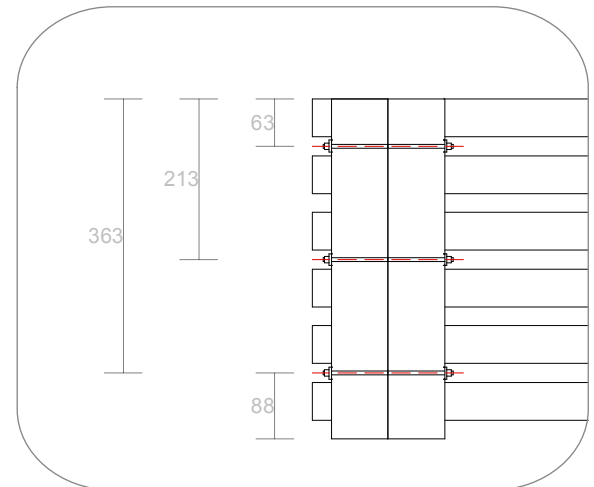
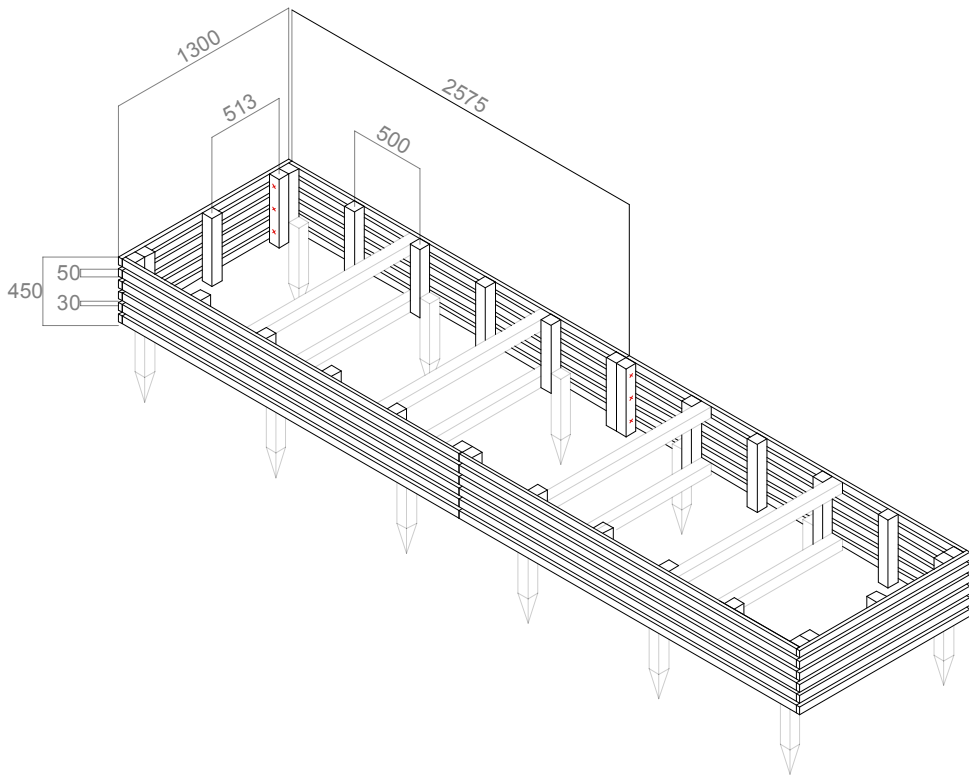


Notes:

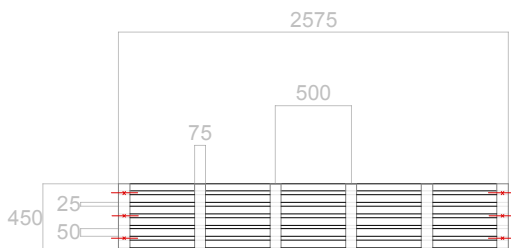
Battens set out at 500mm centres

— = Direction of pre-drilled holes

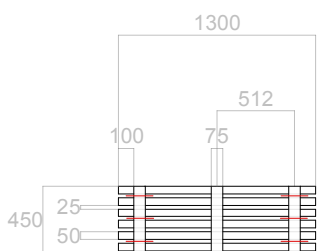
• = Position of pre-drilled hole



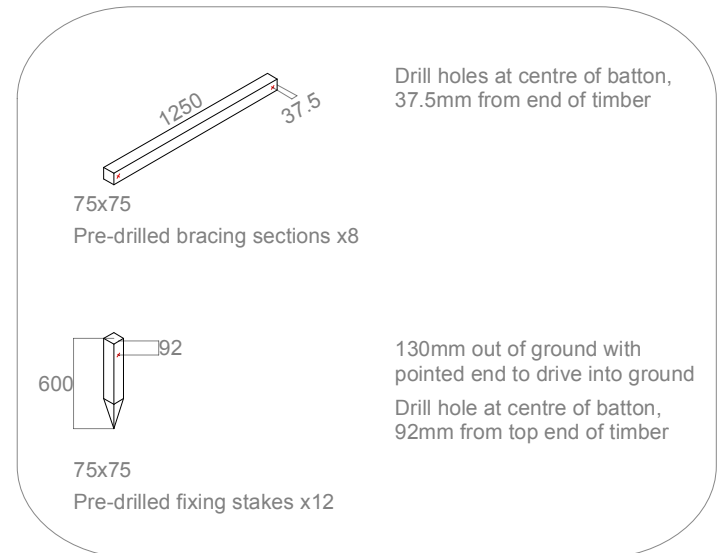
1:10 detail elevation to show position of drilled holes between slats



① Piece 1, x4



② Piece 2, x2



Additional timbers for fixing Pieces together and to the ground

VACANT LOT PARTNERSHIP Planter Dimensions



Dwg Title: Vacant Lot Planter Type B - Dimensions
 Dwg No.: VL-PlanterB-01
 Revision:
 Scale: 1:50 unless indicated otherwise
 Date created: 26.03.10

Rev.

WHAT IF: projects Ltd

39 Cropley Street, London N1 7HT
 T. 02072533376
 www.what-if.info